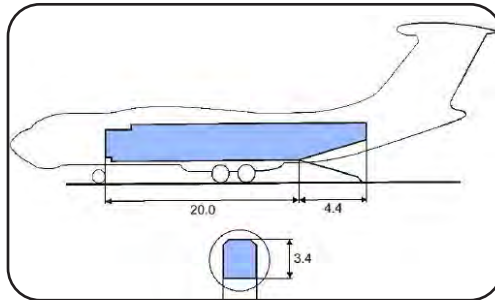


# Aircraft Ilyushin IL-76



## Specification

Maximum Payload: 50,000kgs (IL-76TD), 40,000kgs (IL-76T)

Maximum Take Off Weight; 190,000 kgs

Cargo Hold Dimensions; 20.00 x 3.40 x 3.40 metres

Cargo door size; 3.15 x 3.20 metres, closed by rear loading ramp.

Noise category; Stage 2

Roof mounted gantry hoist 10,000kgs max

Internal winch 20,000kgs max

Maximum hold volume; 180 cubic metres

Runway required for max. takeoff weight; 2300 metres